

CUSTOM PRODUCTION WORKSHEET

IMPORTANT INFORMATION! Look this over carefully! Double check all measurements! This is a custom order and cannot be changed, revised or canceled once placed into production. Please write all measurements in inches. Fill this form out completely and add any additional notes to the bottom of this sheet. Item will be made to match this sheet per your specifications.

Custom Square Post Pad (2 section pad)

CUT - SPEC SHEET

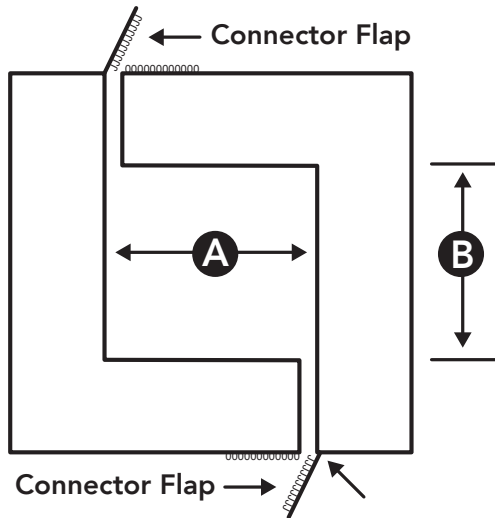
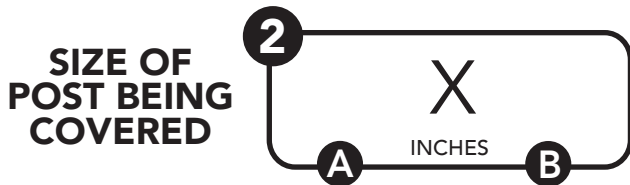
Model# _____

Description: Custom Square Post Pad

1

QTY

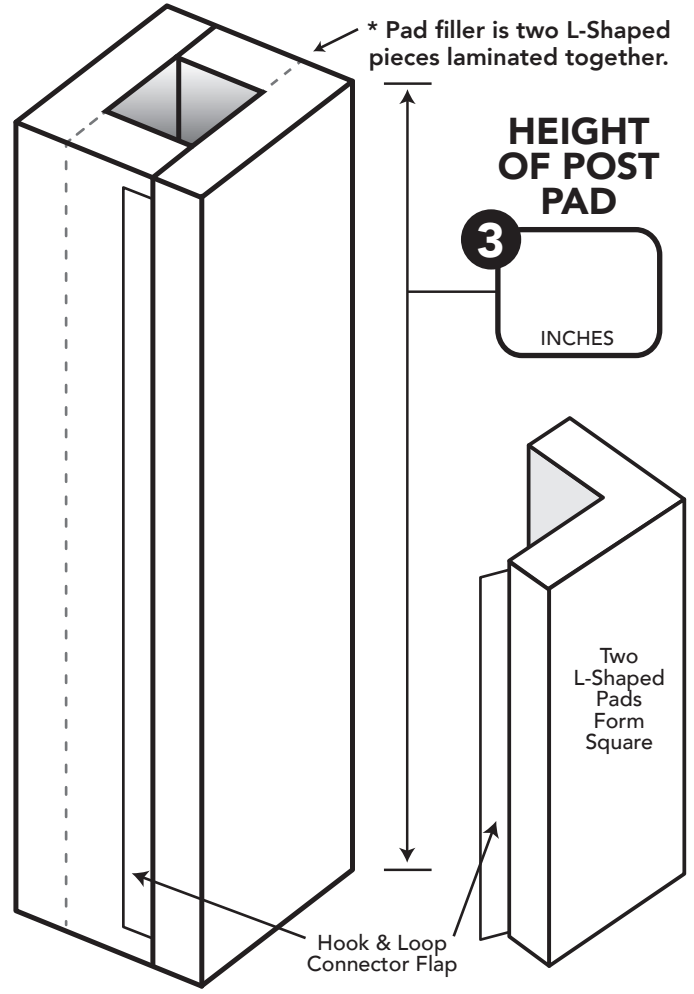
- Enter quantity
- Enter sizes (inches only)
- Enter padding thickness
- Enter vinyl color, sign, date and email or fax to (310) 830-6675



4 **SELECT PADDING THICKNESS**

2" Padding

4" Padding



IMPORTANT By checking this box I confirm there are **NO** electrical outlets, plumbing or other obstructions on the post being covered that will prevent the finished post pad from fitting correctly. Please check carefully, this is a common error.

5

Vinyl Color	Print Your Name _____ Business/Gym _____
	Signature _____ Date _____
	<input checked="" type="checkbox"/> By signing, customer accepts responsibility for the accuracy of the measurements noted on this form. This item may not be returned if correctly provided to customers specification.

CPW031

Notes