

## CUSTOM PRODUCTION WORKSHEET

**IMPORTANT INFORMATION!** Look this over carefully! Double check all measurements! This is a custom order and cannot be changed, revised or canceled once placed into production. Please write all measurements in inches. Fill this form out completely and add any additional notes to the bottom of this sheet. Item will be made to match this sheet per your specifications.

### Custom Round Post Pad

#### CUT - SPEC SHEET

Model# \_\_\_\_\_

Description: Custom Round Post Pad

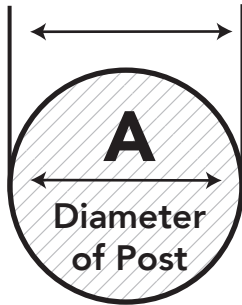
QTY

- Enter quantity
- Enter length (inches only)
- Enter vinyl color
- Enter name, signature, date and email or fax to (310) 830-6675

**PLEASE ENTER BOTH DIAMETER AND CIRCUMFERENCE OF POST BEING COVERED.**

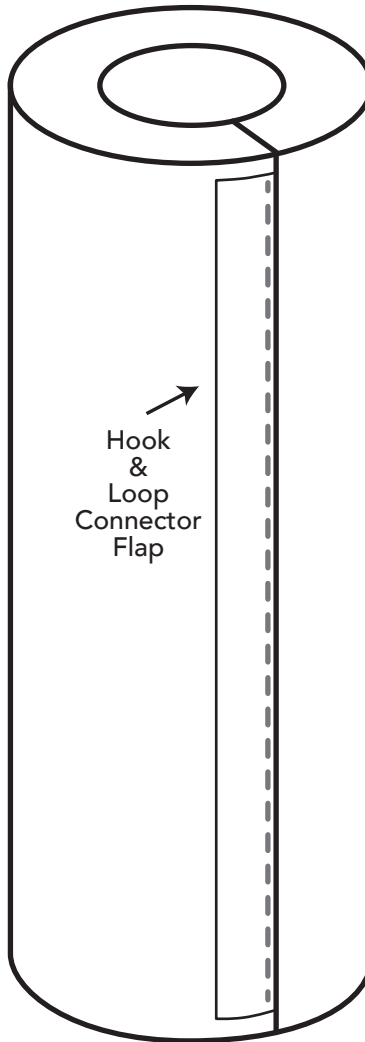
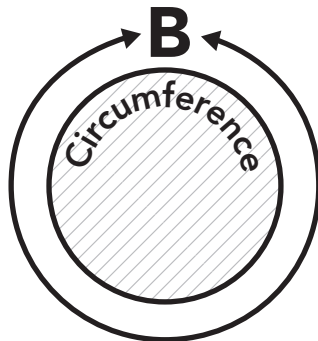
**1 A**  
**DIAMETER**  
Measurement  
across width of  
post.

INCHES



**2 B**  
**CIRCUMFERENCE**  
Measurement  
around surface of  
post.

INCHES



**3**  
**HEIGHT OF POST PAD**

INCHES

**4**  
**SELECT PADDING THICKNESS**

2" Padding

4" Padding

<b>Vinyl Color</b>	Print Your Name _____ Business/Gym _____ Signature _____ Date _____ <input checked="" type="checkbox"/> <small>By signing, customer accepts responsibility for the accuracy of the measurements noted on this form. This item may not be returned if correctly provided to customers specification.</small>
--------------------	---

**CPW030**

**Notes**