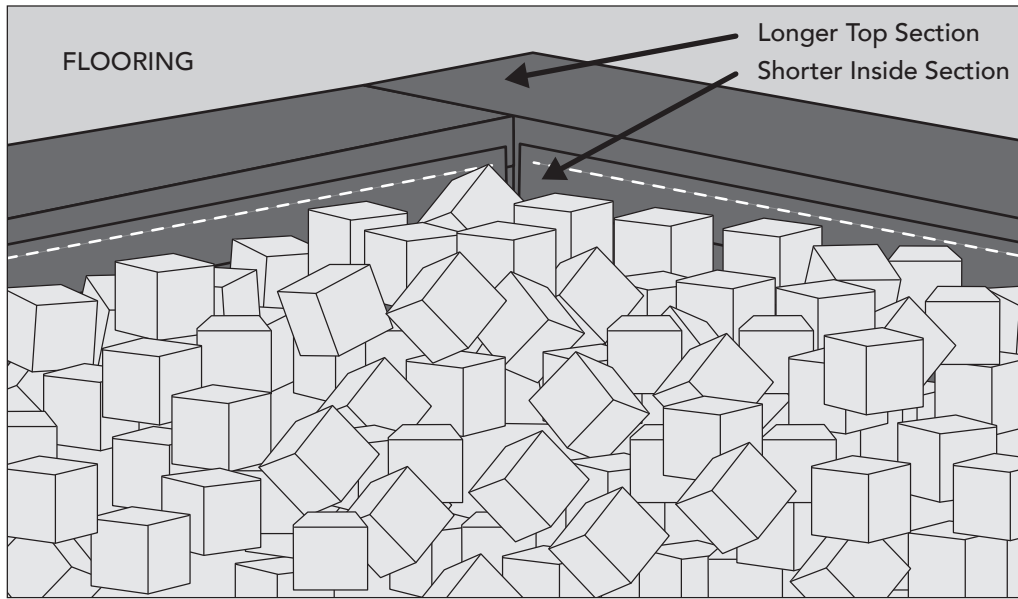


PRODUCT DATA SHEET	
Model Number:	GP-100 Corner Options
Description:	Pit Edge Padding Corner Types
Size:	

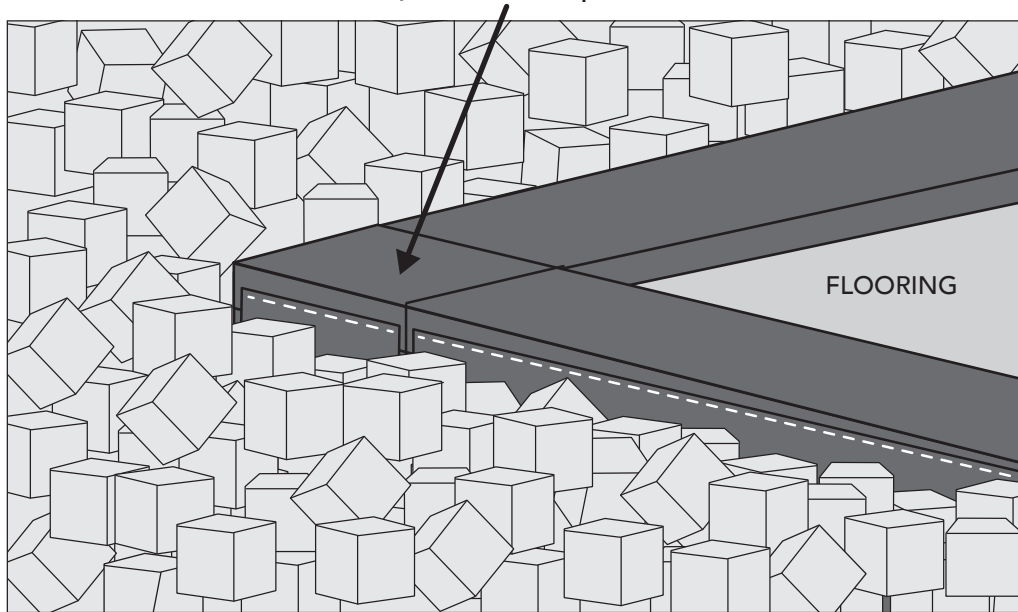
Outside Corner Pit Edge Padding

(One top section is longer than the inside section)



Inside Corner Pit Edge Padding

(Uses a square corner piece section)

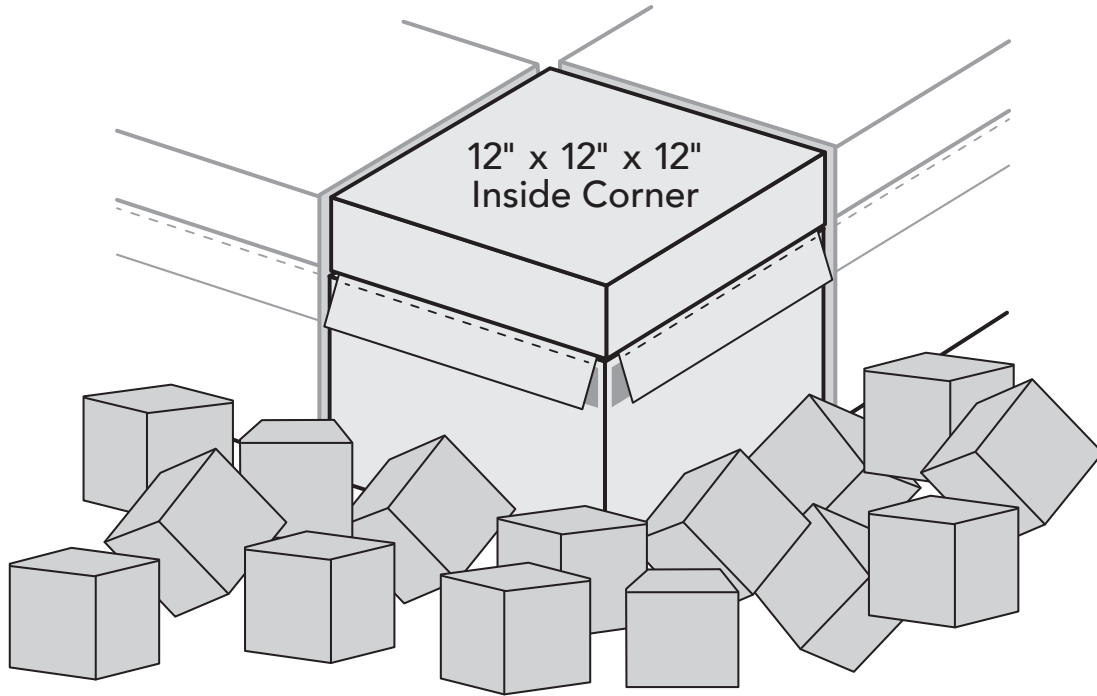


⚠ IMPORTANT CONSUMER PRODUCT HAZARD WARNING — PLEASE READ!

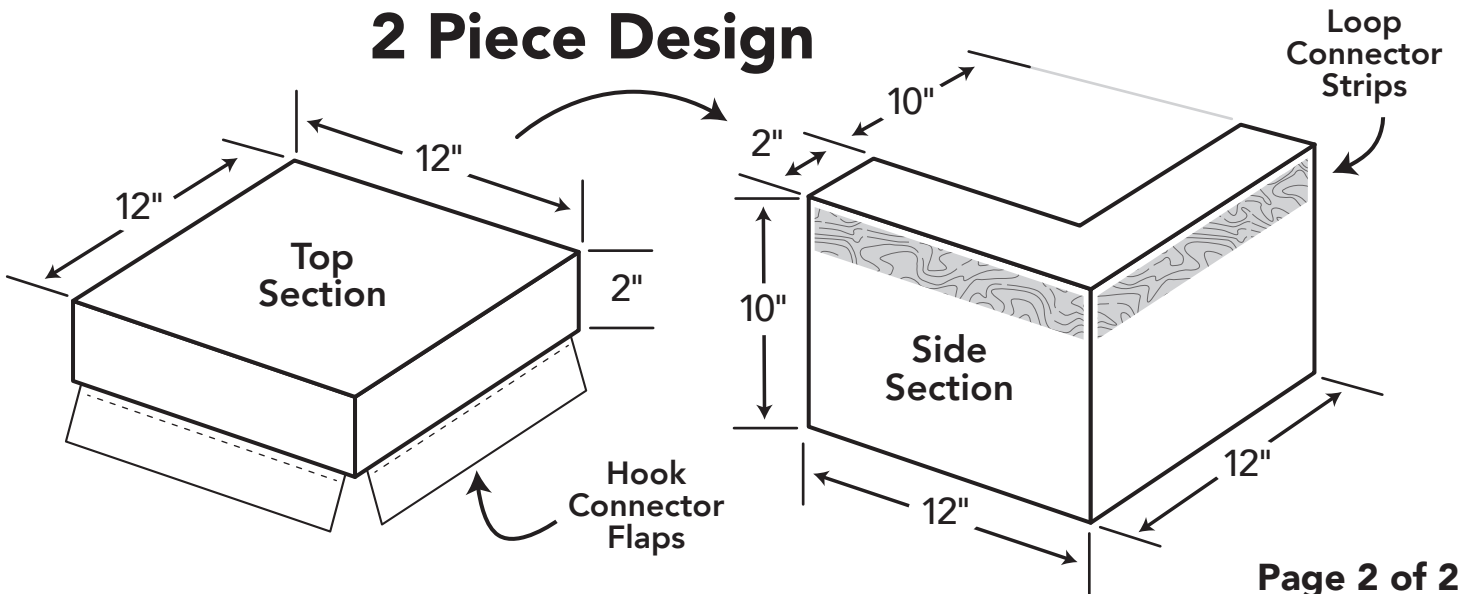
Serious injury (including paralysis or death) could result from any activity involving motion, rotation, and/or height. All users of this equipment assume the risk of serious injury. Mats, pits, and padding cannot and do not eliminate hazards. This product should be used ONLY by properly trained and qualified participants under the supervision of a trained professional instructor. Do not allow use without proper supervision. Do not use a mat with tears, evidence of flattening, and/or other defects. Do not use apparatus with damaged, worn, and/or missing parts. Check for proper positioning of mats and apparatus before each use. Replace this label if it becomes damaged or illegible. This is not a toy.

PRODUCT DATA SHEET	
Model Number:	GP-100 Inside Corner
Description:	Pit Edge Padding Inside Corner
Size:	

Inside Corner



2 Piece Design



⚠ IMPORTANT CONSUMER PRODUCT HAZARD WARNING — PLEASE READ!

Serious injury (including paralysis or death) could result from any activity involving motion, rotation, and/or height. All users of this equipment assume the risk of serious injury. Mats, pits, and padding cannot and do not eliminate hazards. This product should be used ONLY by properly trained and qualified participants under the supervision of a trained professional instructor. Do not allow use without proper supervision. Do not use a mat with tears, evidence of flattening, and/or other defects. Do not use apparatus with damaged, worn, and/or missing parts. Check for proper positioning of mats and apparatus before each use. Replace this label if it becomes damaged or illegible. This is not a toy.